

# LOAD TEST REPORT

Test Method: Client Specified

## Sample Information:

(A) Client Name:	<b>Cable Laying Products</b>
(B) Mailing Address:	P.O. Box 1059
(C) Mailing Address:	Archerfield
(D) Mailing Address:	Qld 4108
(E) Attn:	Paul Dignam
(F) Phone:	07 32767166
(G) Fax:	07 32767199
(H) STS Job No.:	STS-10-037
(I) Sample Details:	<b>Model HDJ-3000</b>
	<b>Maximum Drum Width – 1200mm</b>
	<b>Nominal Capacity (Drum Weight) – 3.0 tonne</b>
	<b>Maximum Working Load (Drum Weight) – 4.5 tonne</b>
(J) Test Date:	25-02-2010
(K) Testing Technician:	W. Crowell

## Test Equipment Details:

Test Location:	Z4 Test Laboratory, Faculty of Engineering and Surveying, USQ
Load Cell:	Scale Components 222kN
Deflection Measurement:	PA-15 UniMeasure Wire Drawn Potentiometer
Data Acquisition:	Measurements Group System 5000

## Overview:

The client, Cable Laying Products, delivered to USQ structures laboratory 1 x Model HDJ-3000 Hydraulic Drum Jack for load testing.

The Drum Jack was assembled on the lab reaction floor, and the upright frames were restrained from movement by clamping them together with 2 steel rhs sections.

A load frame was secured to the 45mm diameter solid steel shaft.

Load application points were at 1200mm centres.

As requested by the client, testing was conducted with the shaft located at the highest support, and with the Hydraulic Bottle Jacks extended 45mm from the fully retracted position.

A manually operated hydraulic jack was used to apply the loads.

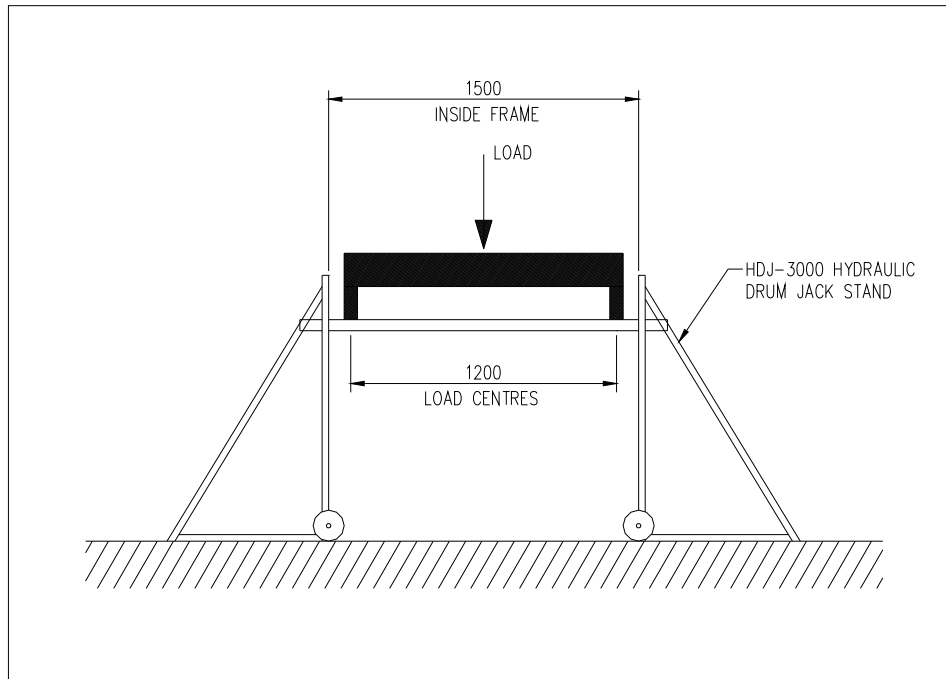
**The hydraulic drum jack was load tested to a maximum load of 45 kN (4.5tonne)**

At the maximum load point, the load was maintained for a period of 60 seconds.

The following report details the test results and observations for each test.

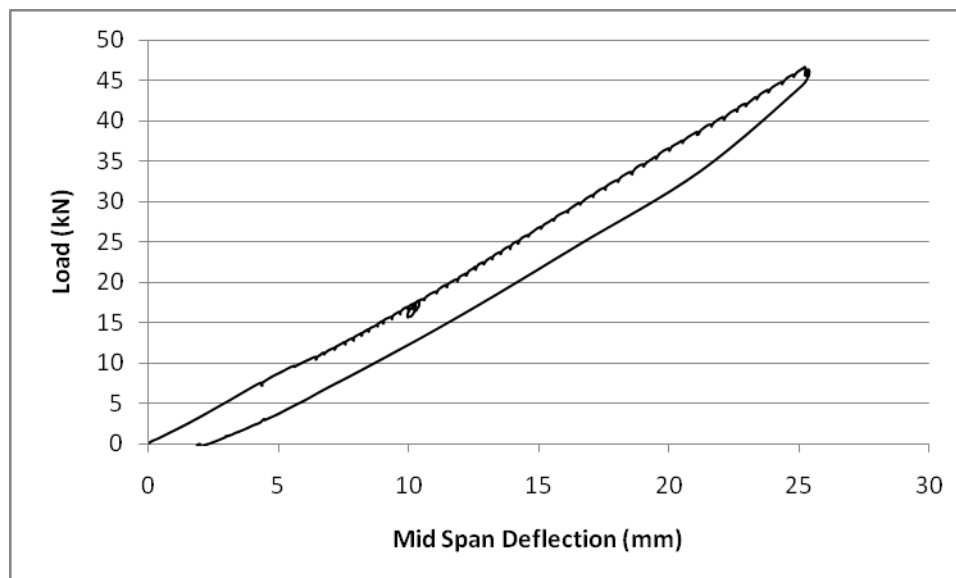
A photographic record is included at the end of the report.

**Load Configuration Schematic:**



**Load Test Results:**

Applied Load (kN)	Deflection @ Mid-Span of shaft (mm)	Observations
45	24.5	No visible damage to the assembly. Shaft support bearings undamaged.



**Load vs Mid-Span Deflection Plot**

**Photographic Record:**



**Photograph 1 – Test setup**

**Comments:**

Load testing of the Cable Laying Products **Model HDJ-3000 Hydraulic Drum Jack** confirmed that the assembly could safely support a static load test of:

**45 kN (4.5 tonnes) or 1.5 times the nominated WLL of 3.0 tonnes** without collapse, or damage to the frames.

**Notes:**

1. This report is specific to the drum stand assembly in its state at the time of testing.
2. This report only covers the structural integrity of the assembly specific to the test procedure outlined herein.

**Testing Officer:**

\_\_\_\_\_  
W.Crowell

**Disclaimer:**

STS takes care in preparing the reports it provides to clients. However STS does not warrant that the information in this particular report will be free of errors or omissions or that it will be suitable for the client's purposes. STS will not be responsible for the results of any actions taken by the client or any other person on the basis of the information contained in this report or any opinions expressed in it.

End of the Report